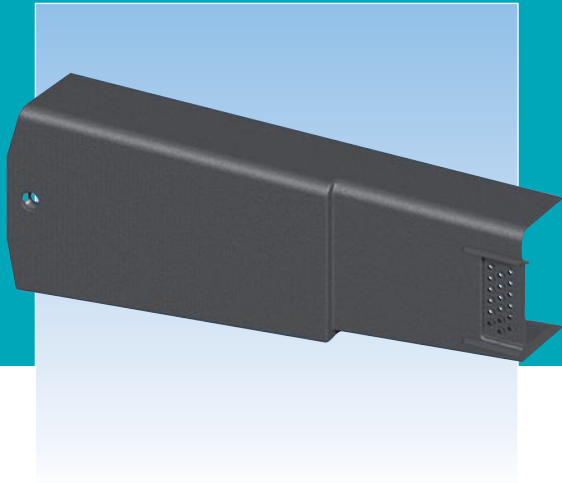


TOPCAP Dry Verge System

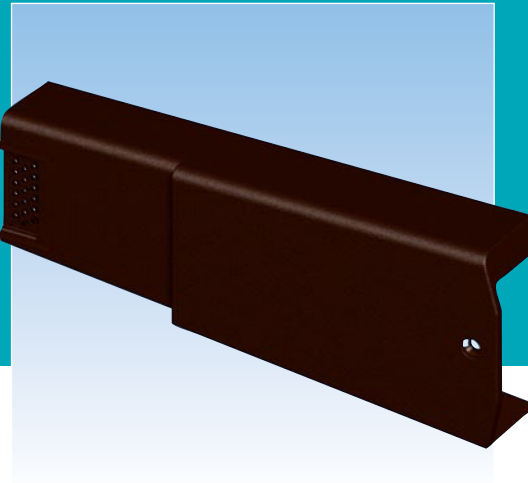
Left Hand Verge Cap

TCAP/LV/G Grey
TCAP/LV/B Brown



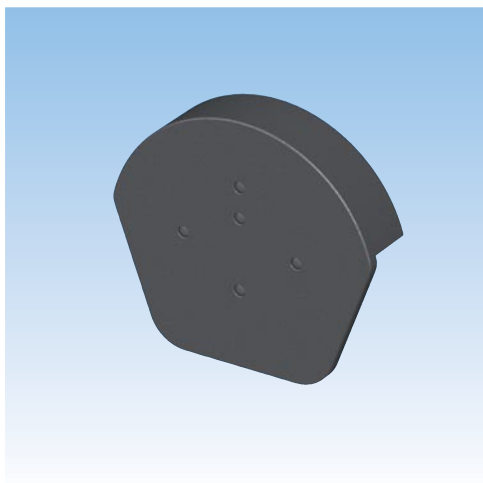
Right Hand Verge Cap

TCAP/RV/G Grey
TCAP/RV/B Brown



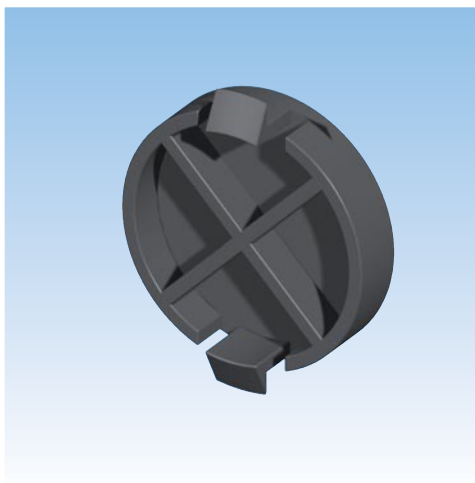
Round Ridge Closure

TCAP/RR/G Grey
TCAP/RR/B Brown



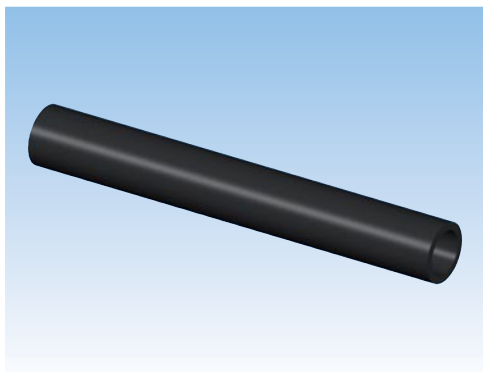
Cover Cap

TCAP/CC/G Grey
TCAP/CC/B Brown



Spacer Tube

TCAP/SP/BL Black

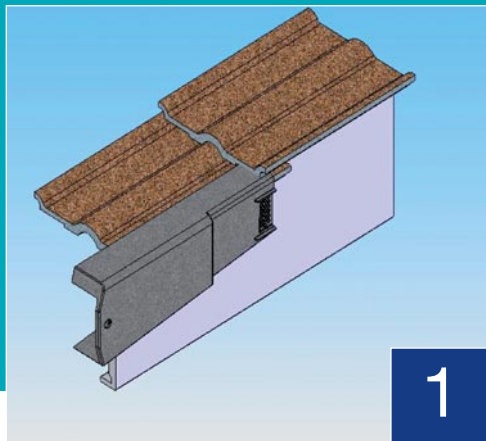


**Mortar
FREE**

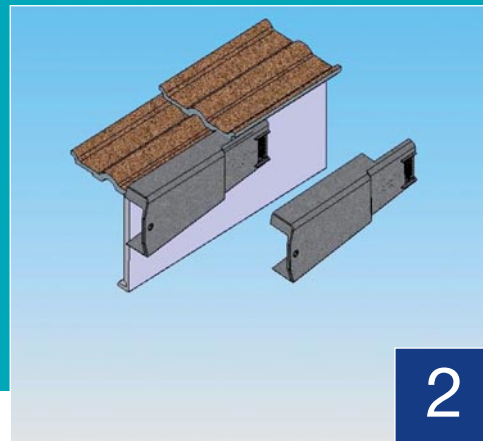
bocce
Positively Different

TOPCAP Dry Verge System

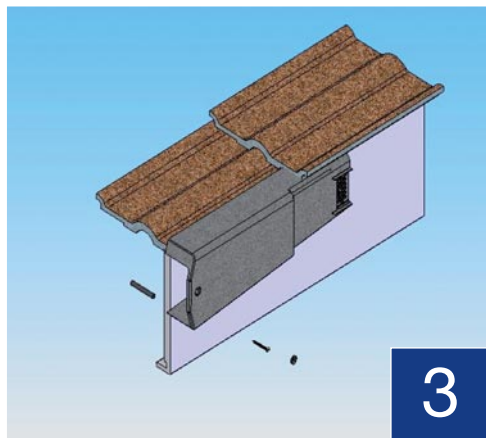
Topcap Installation Instructions



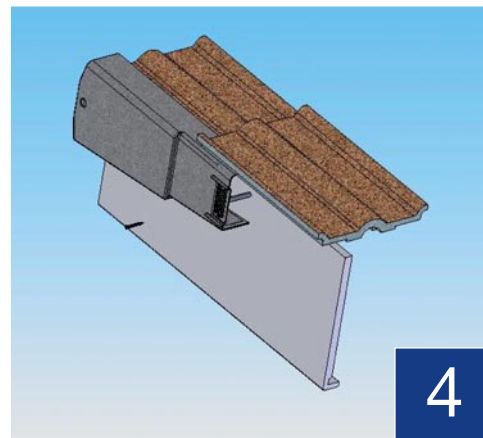
Starting at the bottom, slide the top leading edge of the Verge Cap under the bottom edge of the second row of tiles.



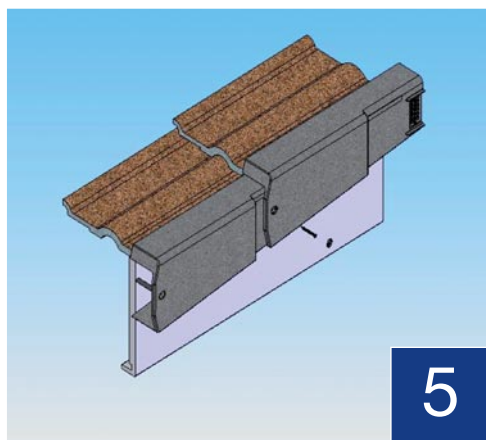
If the tile is securely fixed with cement, preventing installation, notch the Verge Cap as required. This is easily achieved with the use of shears.



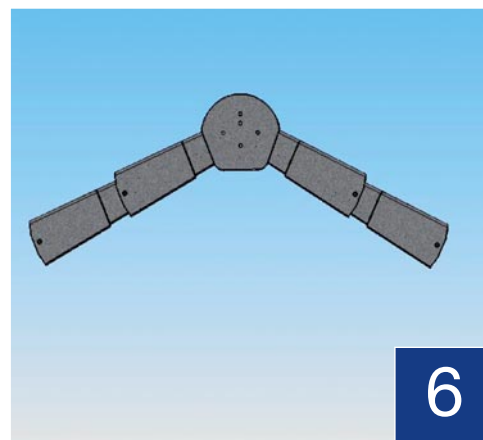
After completion of stages 1 & 2, the lip at the bottom end of the Verge Cap should be in contact with the bottom edge of the tile. Fix the lower edge of the Verge Cap where convenient, using a Spacer Tube and screw and finish by inserting the Screw Cover Cap.



Fix the top edge of the Verge Cap to the barge board using a Spacer Tube and screw. Spacer Tubes are easily cut to length using shears.



Install the next Verge Cap on top of the second row of tiles, sliding the leading edge of the Verge Cap under the bottom edge of the third row of tiles (notch if required). Fix the lower edge of the Verge Cap to the previously installed Verge Cap using a 4.8mm x 13mm screw through the hole provided. Finish by inserting the Screw Cover Cap.



Repeat operations 4 & 5 until the final tile is reached.

Repeat the installation for the opposite side.

To complete the installation fit the Round Ridge Closure to the top Verge Caps using 4.8mm x 13mm screws.

BCE Cellular Ltd

Billet Lane, Normanby Enterprise Park,
Normanby Road, Scunthorpe,
North Lincolnshire, DN15 9YH.

Tel: (01724) 400440 Fax: (01724) 280241
Email: info@kestrelbce.co.uk

www.bcecellular.com


Positively Different